

# RESILIENT SEATED GATE VALVE



Resilient Seated Gate Valves are used for general purpose on/off operations in municipal, agricultural and industrial infrastructural networks. The sealing is achieved by the vulcanized rubber on the wedge acting directly on the body internal wall.

Opening and the closing is done by CCW and CW rotary motion of the non-rising stem, respectively. This action moves the wedge up and down, confined and guided on the monoblock internal ribs of the body.

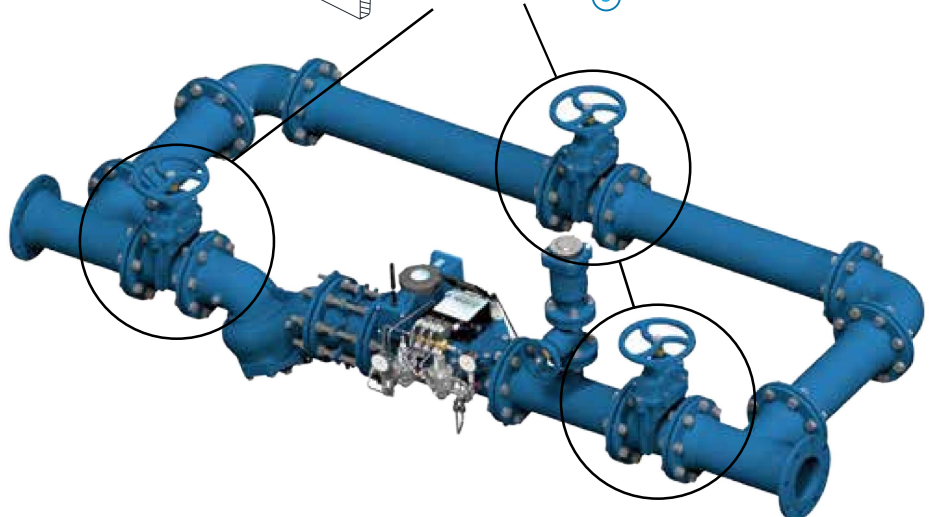
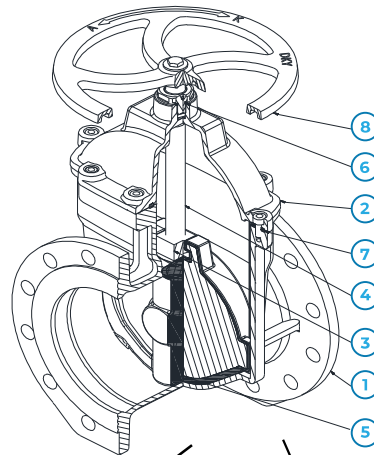
The wedge is fitted in the shell form on the cover, leaving no visual form in the direction of flow. This ensures the laminar flow through the valve with virtually no sensible head loss.

## MATERIAL FEATURES

NO	PART NAME	MATERIAL	OPTION
1	BODY	EN GJS 400-15	EN GJS 500-7
2	BONNET	EN GJS 400-15	EN GJS 500-7
3	STEM NUT	M58	-
4	STEM	AISI420	DUPLEX
5	WEDGE	EN GJS 400-15 + EPDM	-
6	O-RINGS	EPDM	NBR
7	SEAL	EPDM	NBR
8	HANDWHEEL	EN GJL 250	-
	CONNECTION ELEMENTS	A2	A4

## TECHNICAL SPECIFICATIONS

<b>Nominal Dia</b>	DN50 – DN700
<b>Nominal Pressure</b>	PN10 - 16 - 25 (DN50-DN250), PN10-16 (DN300-DN700)
<b>Design Standard</b>	EN 1171
<b>Flange Standard</b>	EN 1092-2
<b>Marking</b>	EN 19
<b>Dimensions</b>	DIN 3202-F4 / EN 558-S14
<b>Test Standard</b>	EN 12266-1
<b>Operating Temperature</b>	-10 °C ... +50 °C
<b>Coating</b>	Thermoplastic / Electrostatic Epoxy



## APPLICATION AREAS

